

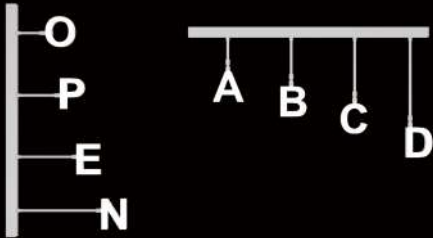


MultiSignsBar



MultisignsBar

Creating a New Experience in Commercial Lighting Advertising



Extensible installation with rotation options



Double sided vertical and horizontal installation

MultisignsBar is a lighting product designed specifically for commercial spaces, with its innovative design and multifunctionality giving it the potential for wide application in various settings. Whether it's in a store, clothing shop, shoe store, stationery store, or fruit shop, MultisignsBar can attract attention with its flexible and versatile lighting and advertising effects.

1

Diversity and Flexibility

The design concept of MultisignsBar focuses on diversity and flexibility. It not only allows for the installation of floodlights, spotlights, letter lights, and number lights above, below, and on both sides of the track but also offers a wide range of colors for these letter lights, which can be easily changed by simply replacing the casing. Additionally, the combination of letters and numbers can take on various forms, creating different words and customizable patterns to meet the different needs of businesses. Whether it's highlighting product features or creating a unique store atmosphere, MultisignsBar can meet your requirements.

2

Versatile Installation Methods

MultisignsBar offers versatile installation methods. It can be suspended from the ceiling using telescopic rods or mounted on the wall using expansion bolts. Furthermore, this track light is equipped with a variety of extension and corner accessories, allowing for suitable installation methods in any complex environment. This flexible installation capability enables MultisignsBar to maximize its lighting effects in various commercial settings.

3

Professional Custom Design

By choosing MultisignsBar, you will have the opportunity to enjoy customized design services from our professional design team based on your specific site conditions. Regardless of the size, layout, or lighting needs of your space, our designers will create the most suitable lighting solution for you. Our design team will tailor the lighting effects uniquely according to your requirements and preferences, enhancing the overall image of your store.

4

Wide Application and Recognition

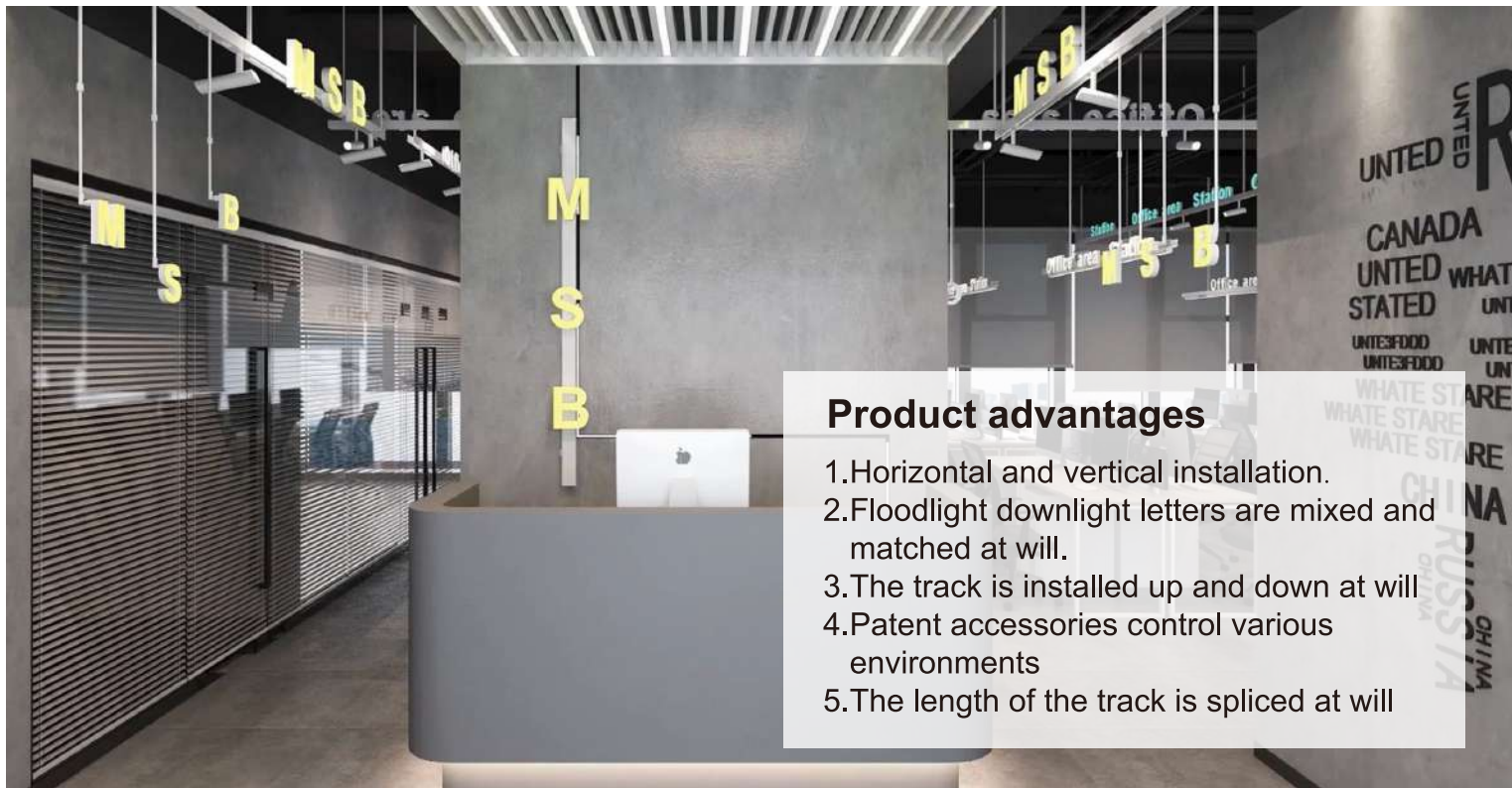
MultisignsBar has applied for multiple patents and has already been deployed in numerous shopping malls. This not only demonstrates its innovation and practicality but also proves its immense potential in the market. We believe that MultisignsBar track lights can play a bigger role in your store, illuminating your commercial space and attracting more customers.

5

Energy-saving and Environmentally Friendly

In addition to the aforementioned advantages, MultisignsBar is also highly energy-saving and environmentally friendly. It adopts the latest LED lighting technology, providing not only high-quality illumination but also greater energy efficiency compared to traditional lighting, reducing energy waste. Moreover, its environmentally friendly materials comply with the requirements of modern green building, creating a healthy and eco-friendly commercial environment.

In summary, MultisignsBar offers unique lighting effects and advertising displays for your space through its innovative design and multifunctionality. Whether it's practicality, installation convenience, or advertising effectiveness, MultisignsBar is definitely your top choice. Choose MultisignsBar and let us together create a bright, beautiful, and personalized commercial space.



Product advantages

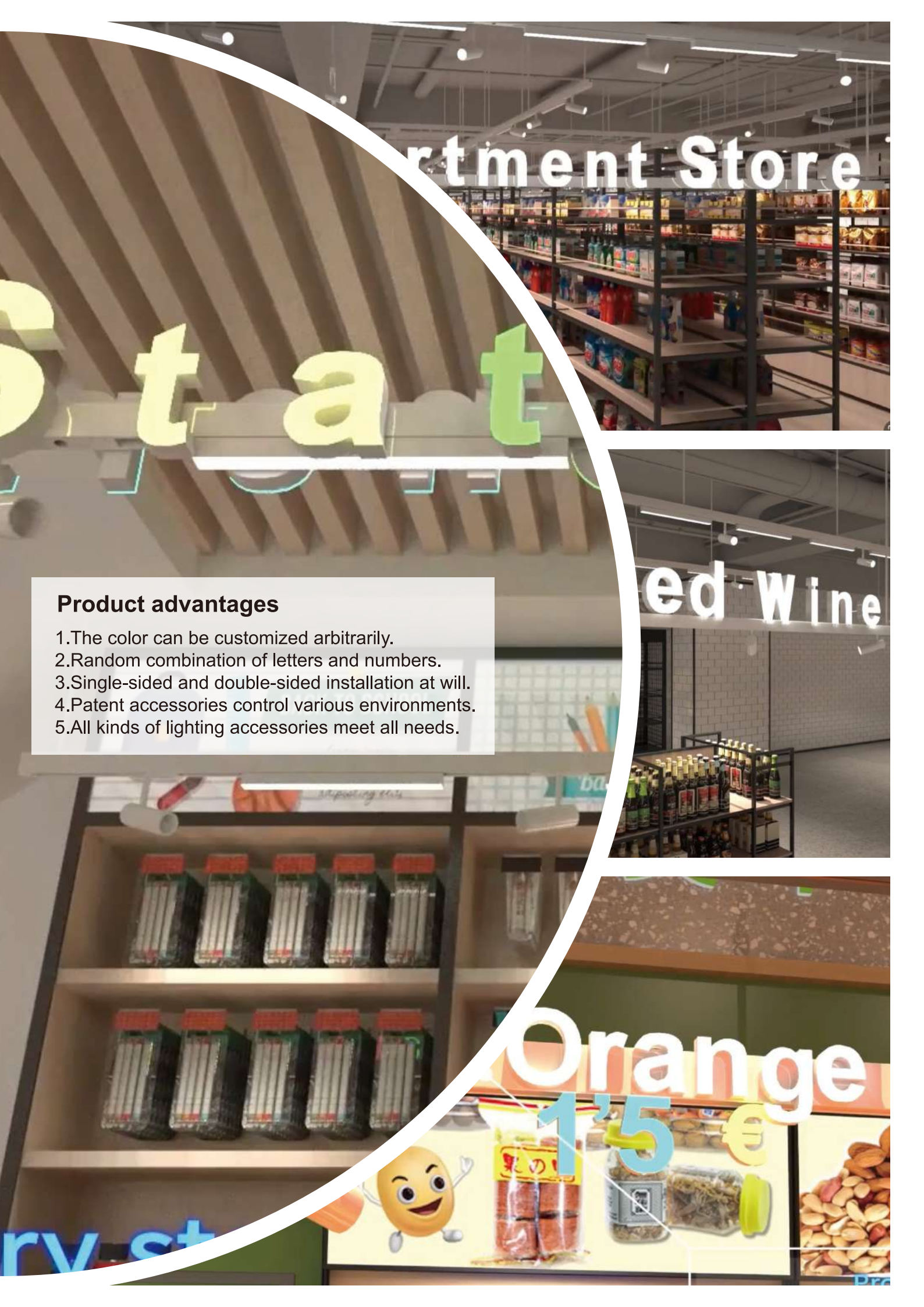
1. Horizontal and vertical installation.
2. Floodlight downlight letters are mixed and matched at will.
3. The track is installed up and down at will
4. Patent accessories control various environments
5. The length of the track is spliced at will



Product advantages

1. Full scene connection of corner parts at all angles one wire connects all the luminaires.
2. Random combination of letters and numbers.
3. The lifting height can be adjusted at will.
4. Patented accessories control various environments.
5. All kinds of lighting accessories meet all needs.





Department Store

st at

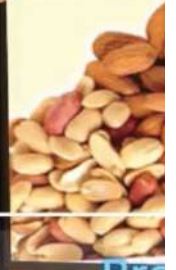
Red Wine

Product advantages

- 1.The color can be customized arbitrarily.
- 2.Random combination of letters and numbers.
- 3.Single-sided and double-sided installation at will.
- 4.Patent accessories control various environments.
- 5.All kinds of lighting accessories meet all needs.

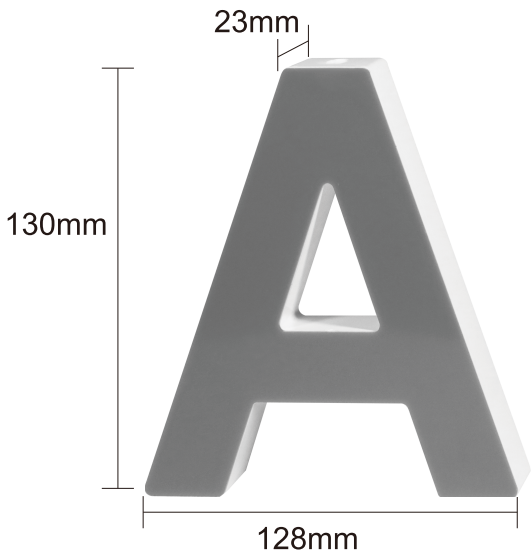
Orange
1'5 €

ry st





Size:



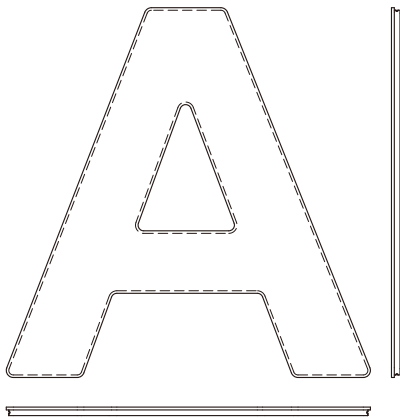
Three Views:



Parameter:

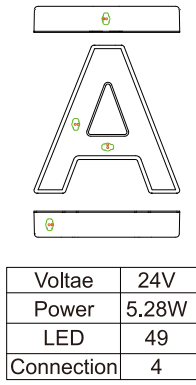
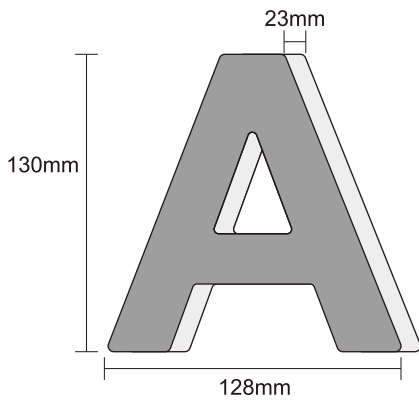
Voltage	24V
Power	5.28W
LED	49
Connection	4

Panel Three Views:

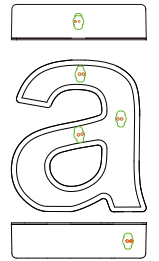
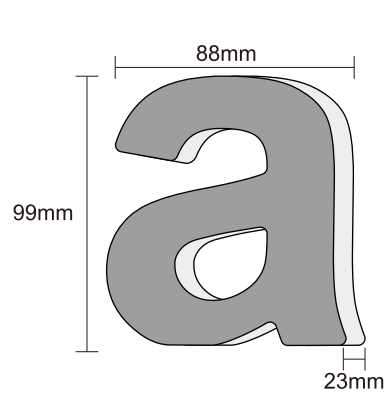


Display of lamp panel position:

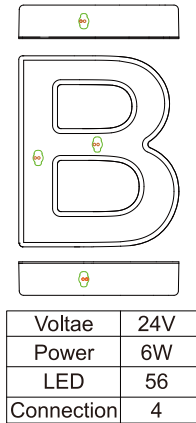
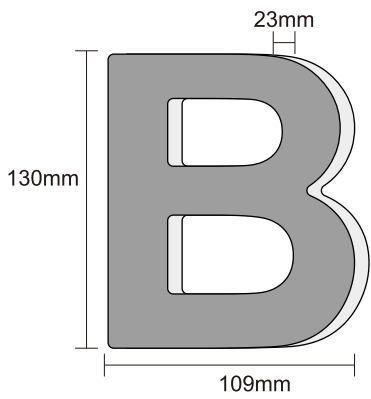




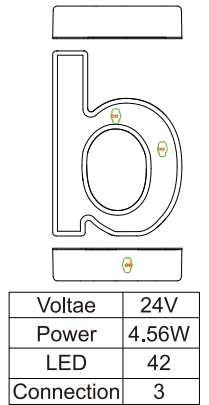
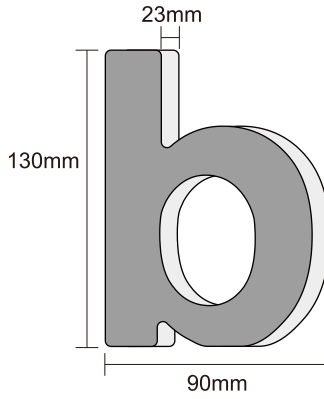
Voltage	24V
Power	5.28W
LED	49
Connection	4



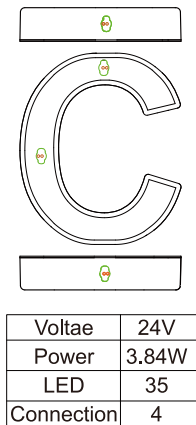
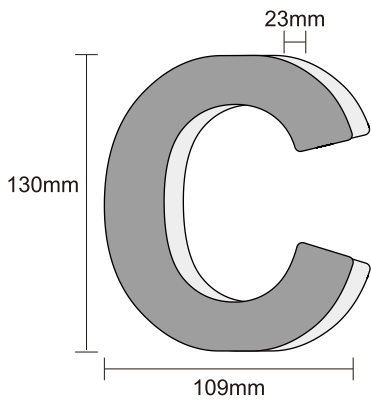
Voltage	24V
Power	3.84W
LED	35
Connection	4



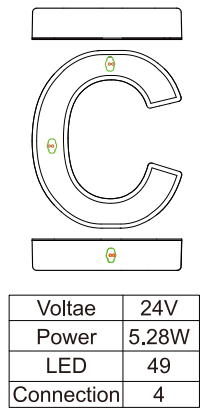
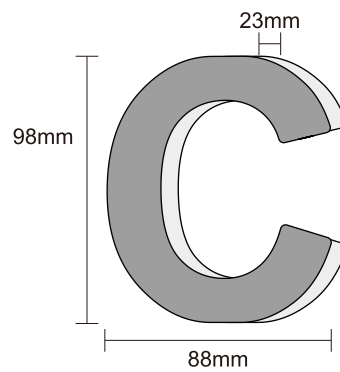
Voltage	24V
Power	6W
LED	56
Connection	4



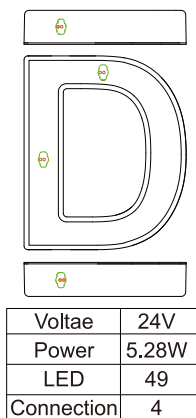
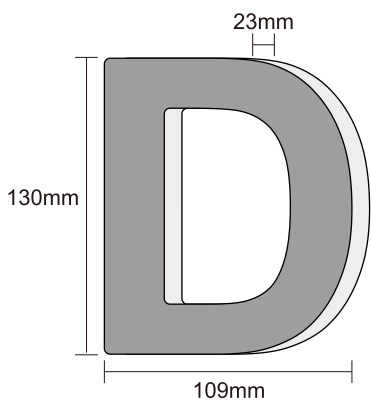
Voltage	24V
Power	4.56W
LED	42
Connection	3



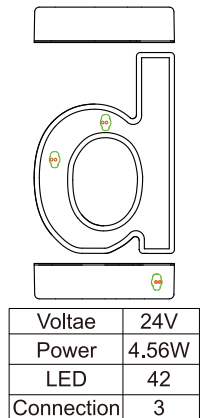
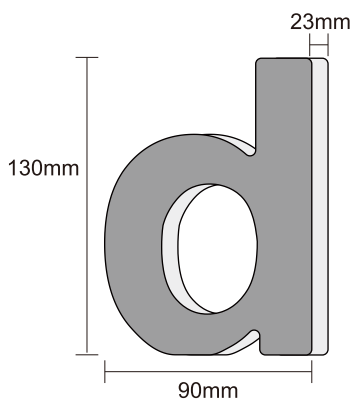
Voltage	24V
Power	3.84W
LED	35
Connection	4



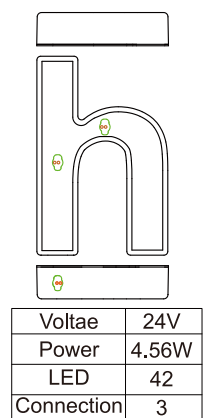
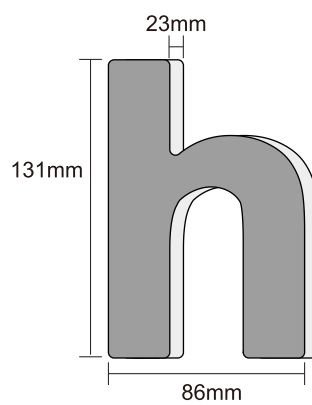
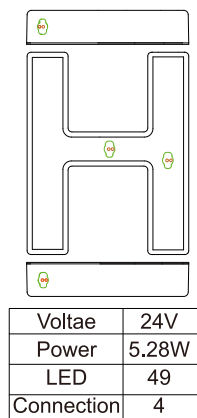
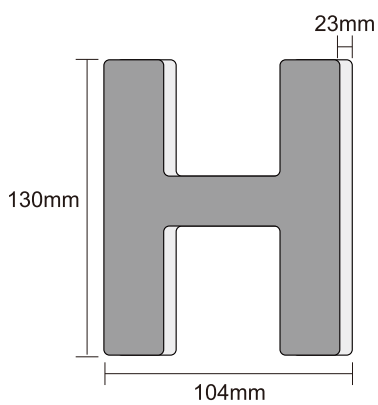
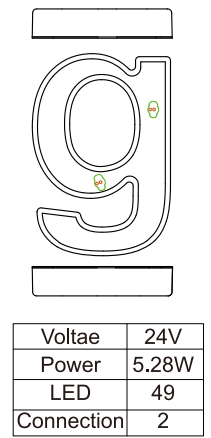
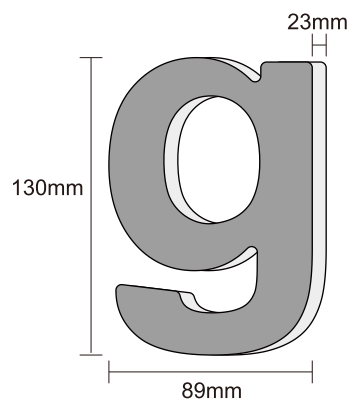
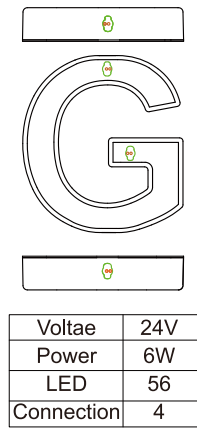
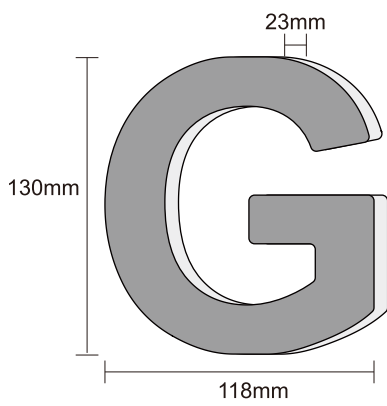
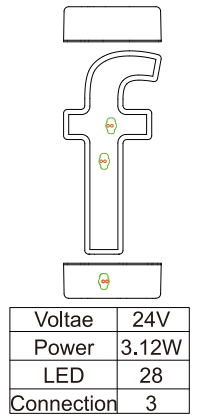
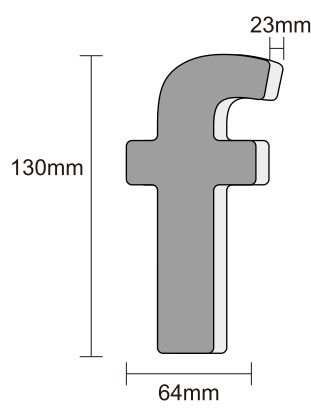
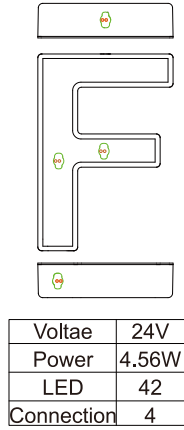
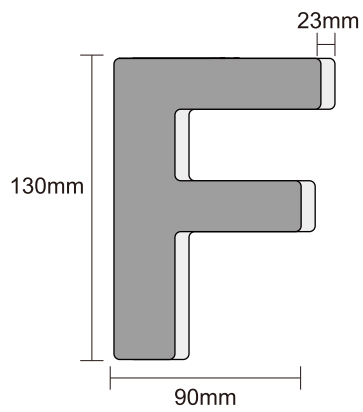
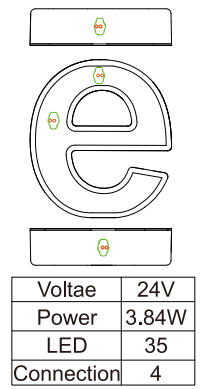
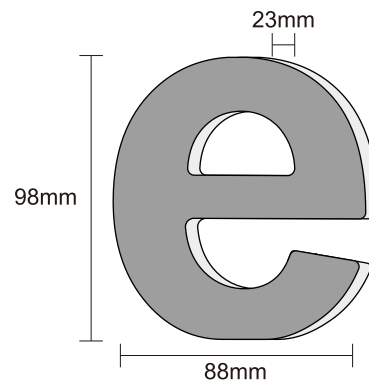
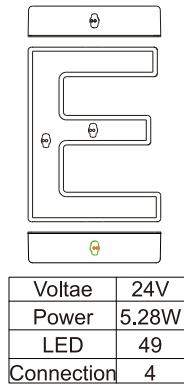
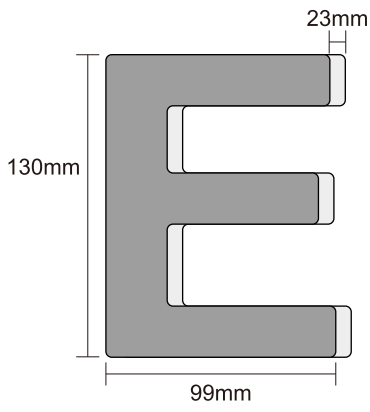
Voltage	24V
Power	5.28W
LED	49
Connection	4

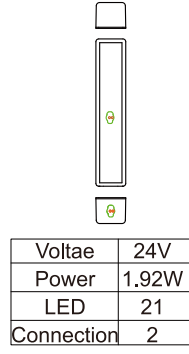
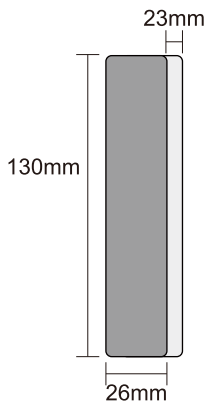


Voltage	24V
Power	5.28W
LED	49
Connection	4

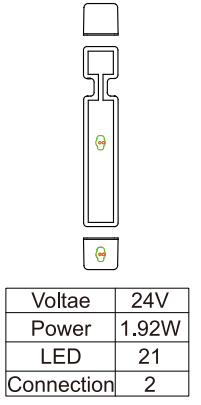
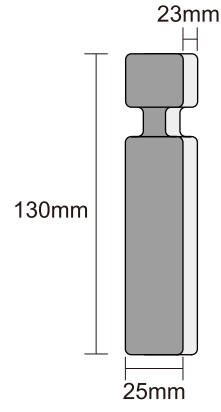


Voltage	24V
Power	4.56W
LED	42
Connection	3

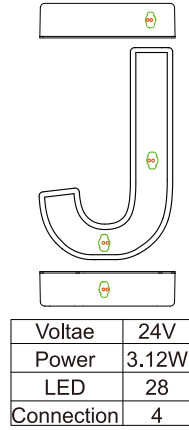
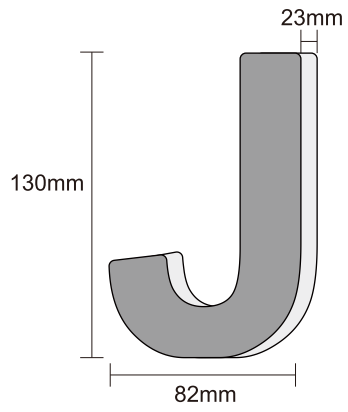




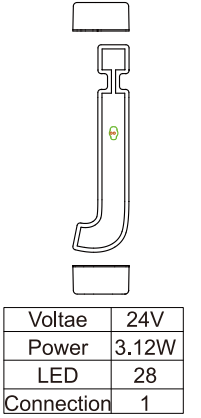
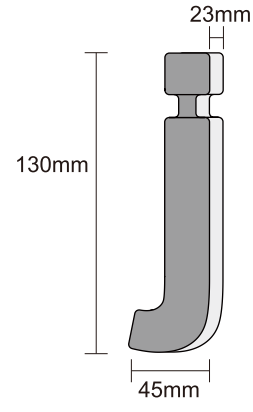
Voltage	24V
Power	1.92W
LED	21
Connection	2



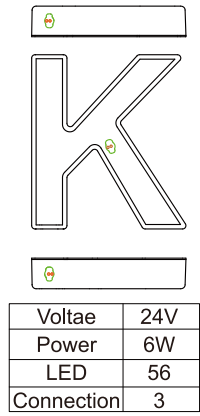
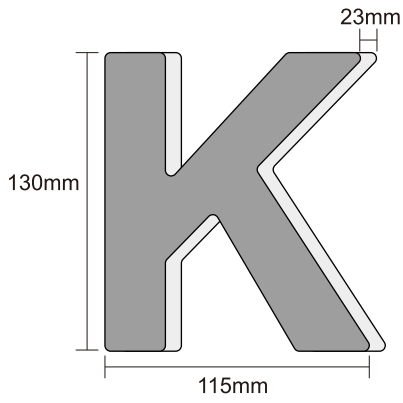
Voltage	24V
Power	1.92W
LED	21
Connection	2



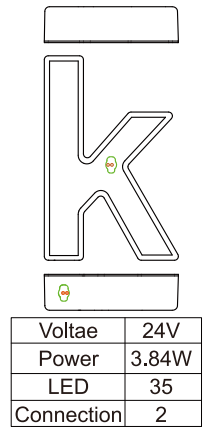
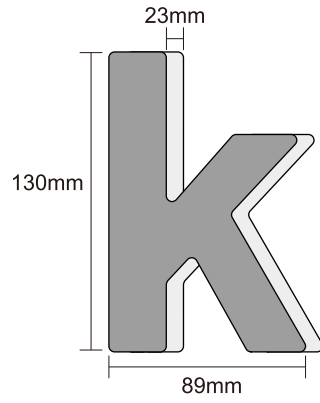
Voltage	24V
Power	3.12W
LED	28
Connection	4



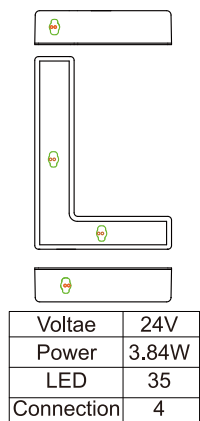
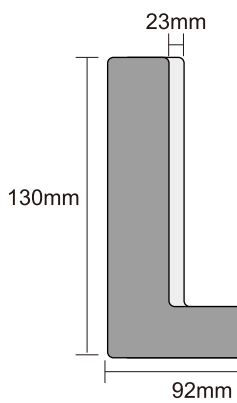
Voltage	24V
Power	3.12W
LED	28
Connection	1



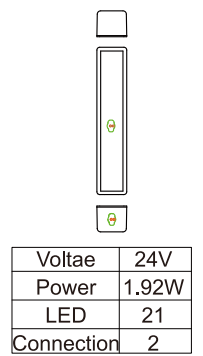
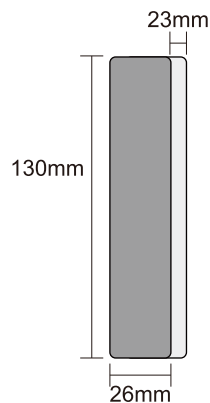
Voltage	24V
Power	6W
LED	56
Connection	3



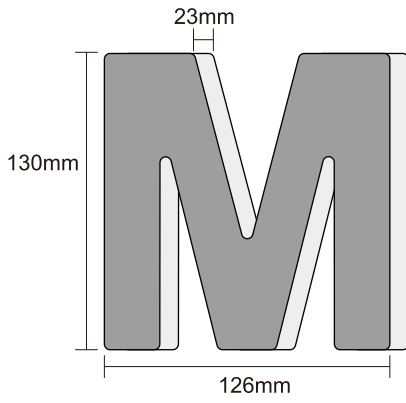
Voltage	24V
Power	3.84W
LED	35
Connection	2



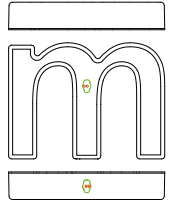
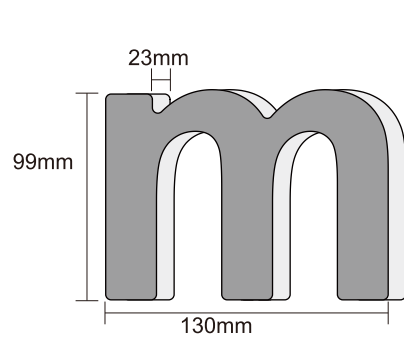
Voltage	24V
Power	3.84W
LED	35
Connection	4



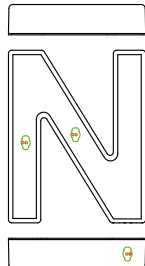
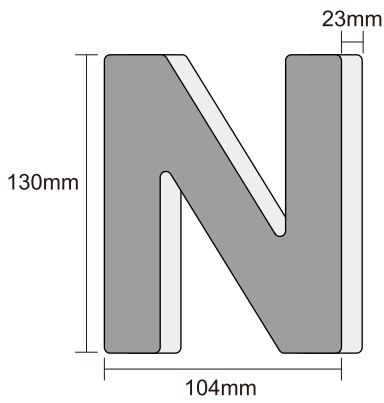
Voltage	24V
Power	1.92W
LED	21
Connection	2



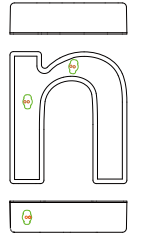
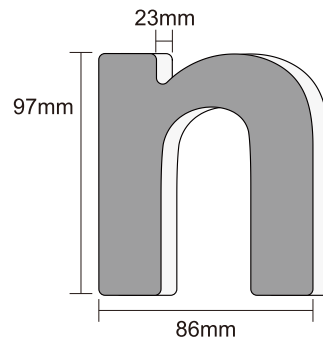
Voltage	24V
Power	7.92W
LED	70
Connection	4



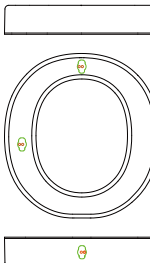
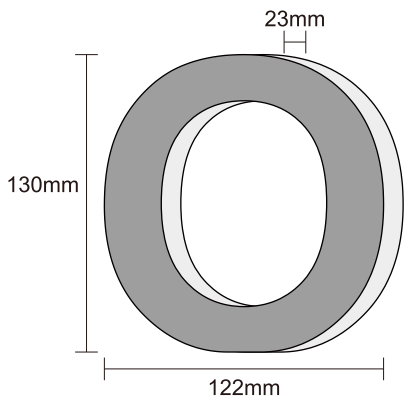
Voltage	24V
Power	5.28W
LED	49
Connection	2



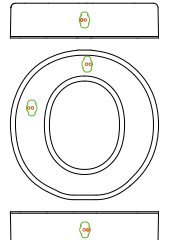
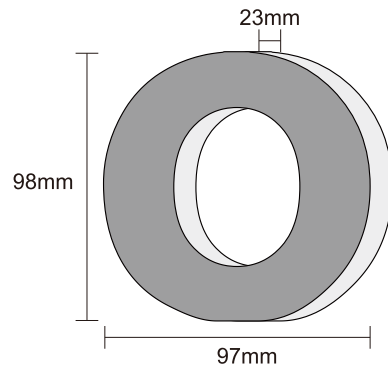
Voltage	24V
Power	5.28W
LED	49
Connection	3



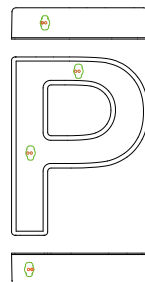
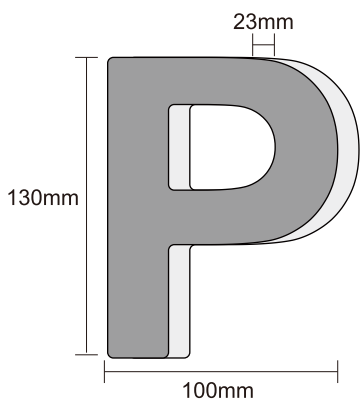
Voltage	24V
Power	3.84W
LED	35
Connection	3



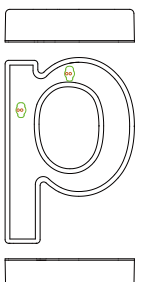
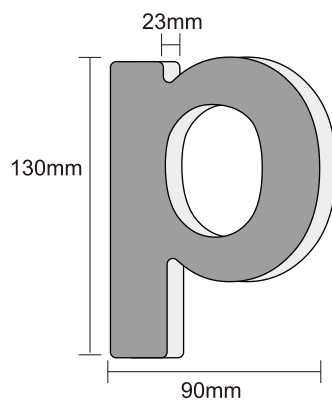
Voltage	24V
Power	4.56W
LED	42
Connection	3



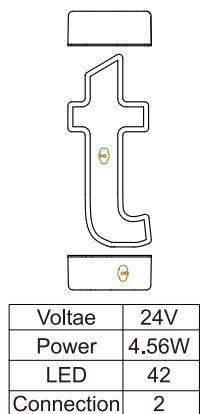
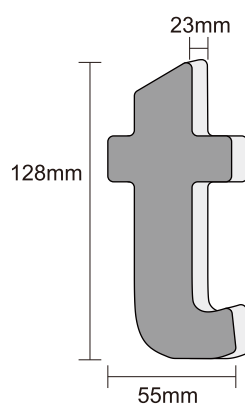
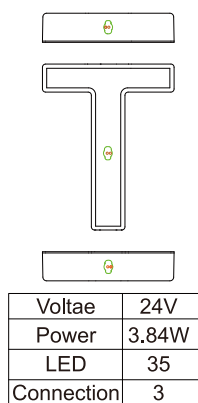
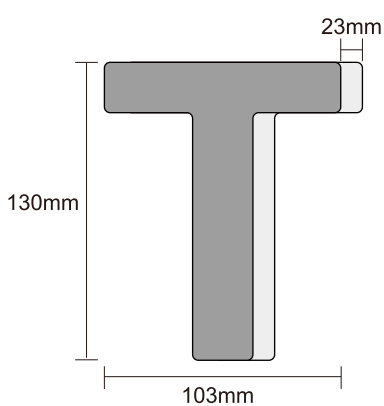
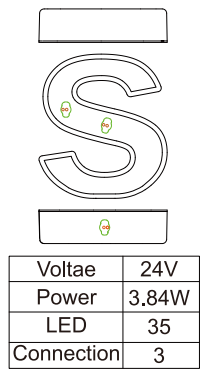
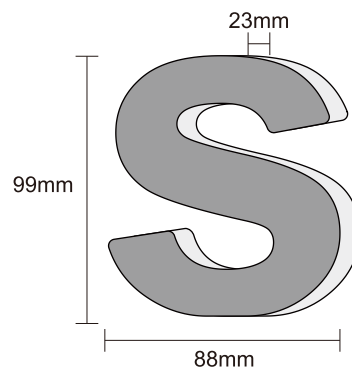
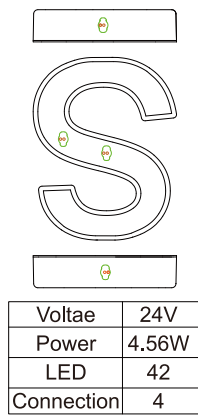
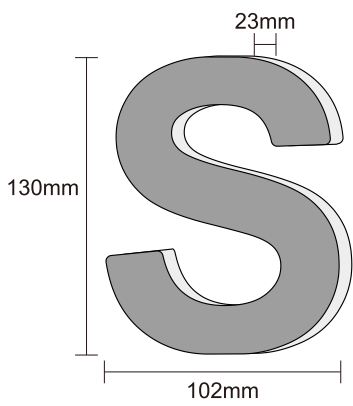
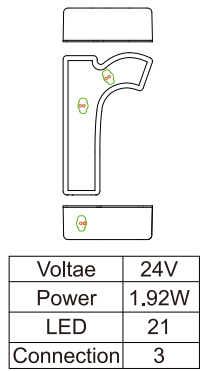
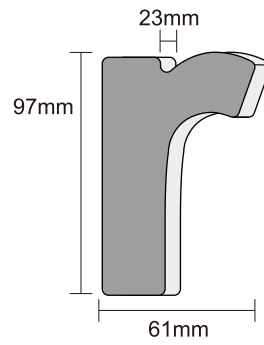
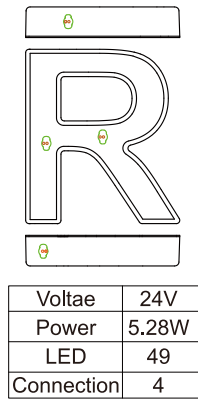
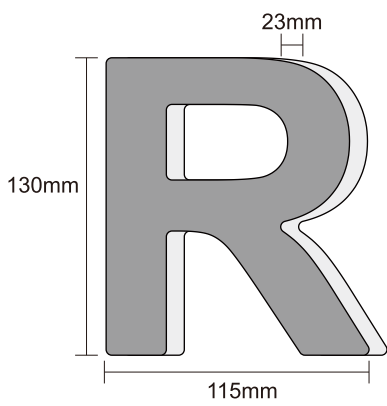
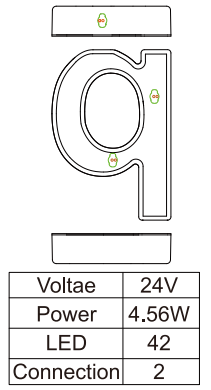
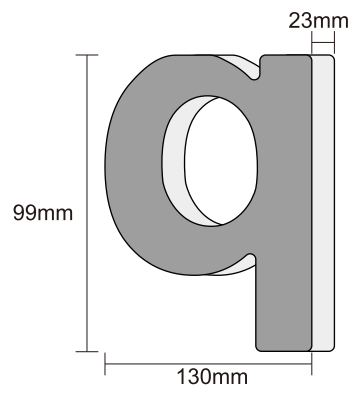
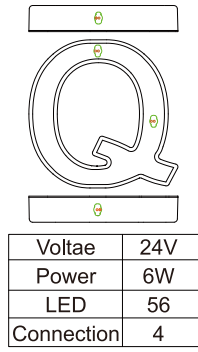
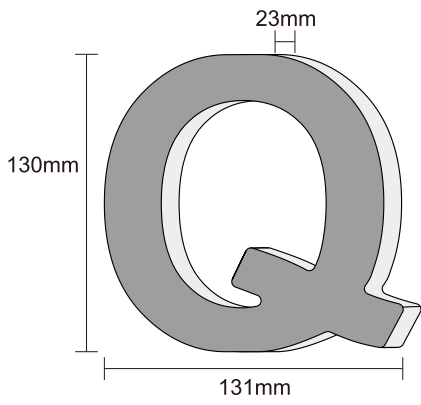
Voltage	24V
Power	3.84W
LED	35
Connection	4

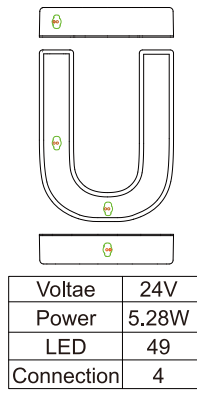
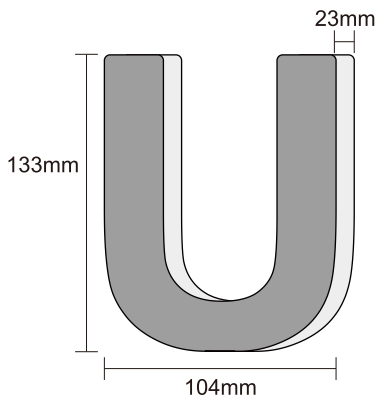


Voltage	24V
Power	4.56W
LED	42
Connection	4

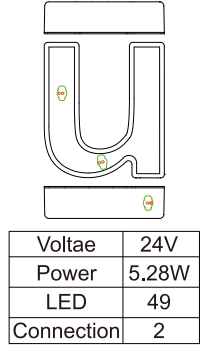
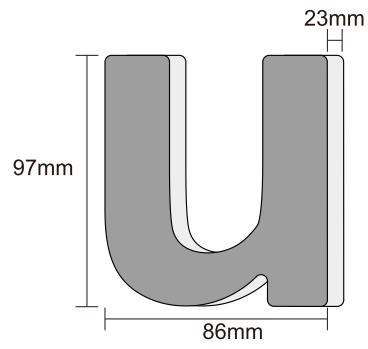


Voltage	24V
Power	4.56W
LED	42
Connection	2

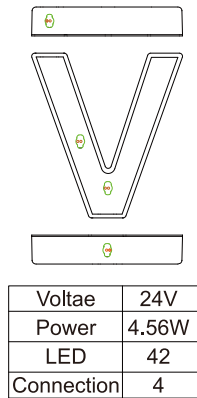
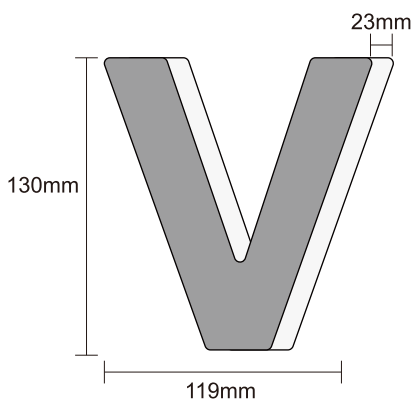




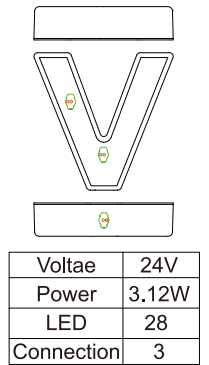
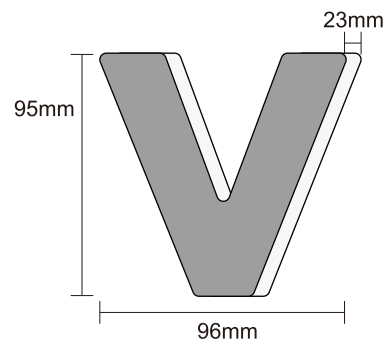
Voltage	24V
Power	5.28W
LED	49
Connection	4



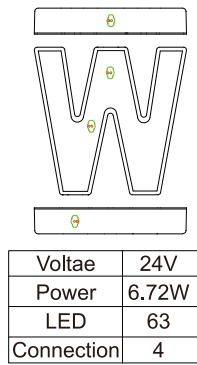
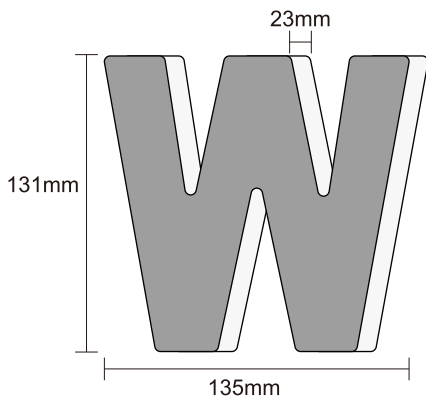
Voltage	24V
Power	5.28W
LED	49
Connection	2



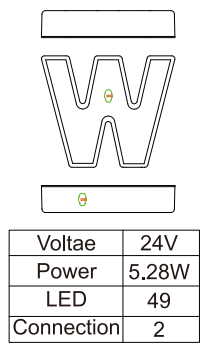
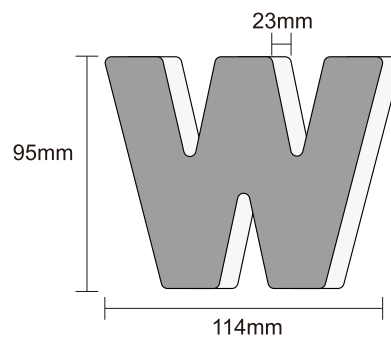
Voltage	24V
Power	4.56W
LED	42
Connection	4



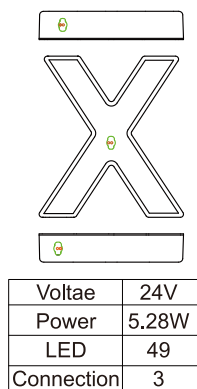
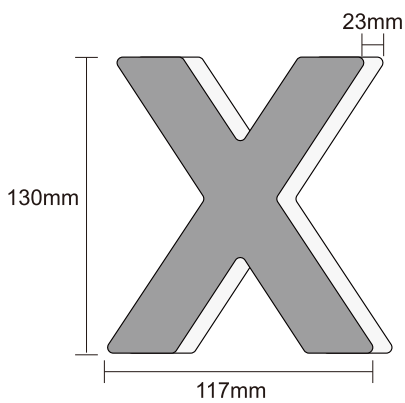
Voltage	24V
Power	3.12W
LED	28
Connection	3



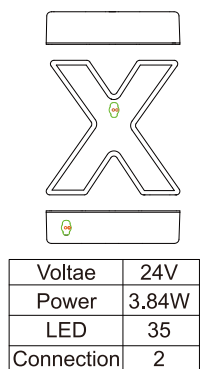
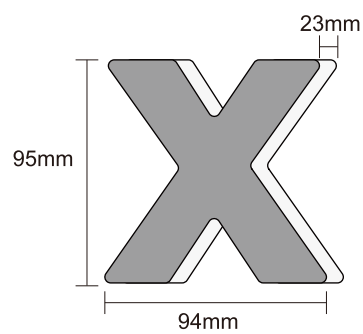
Voltage	24V
Power	6.72W
LED	63
Connection	4



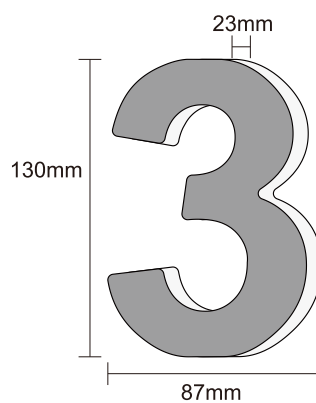
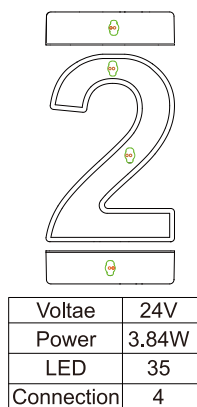
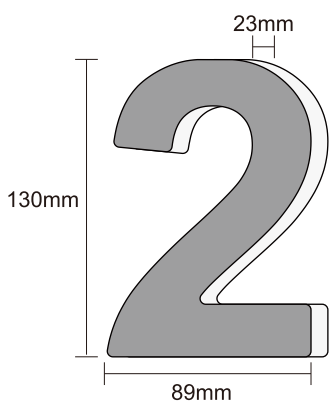
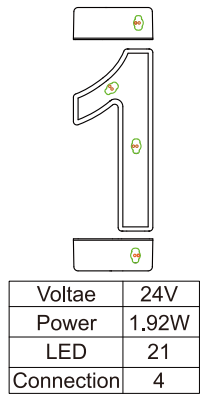
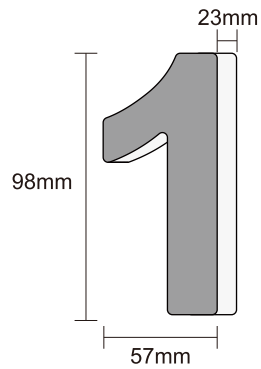
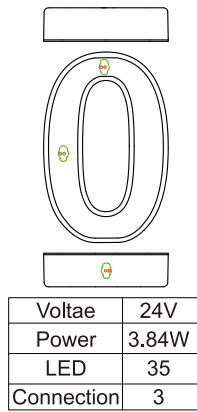
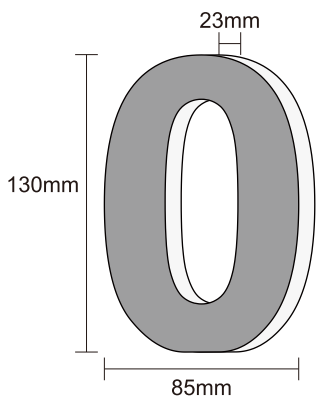
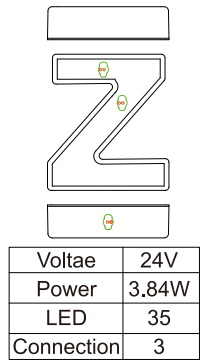
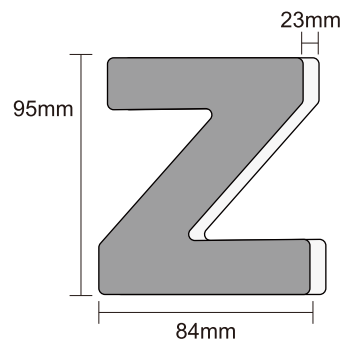
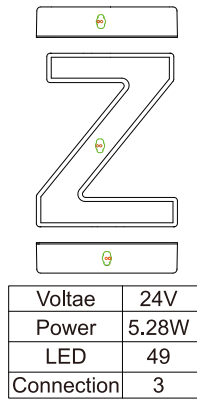
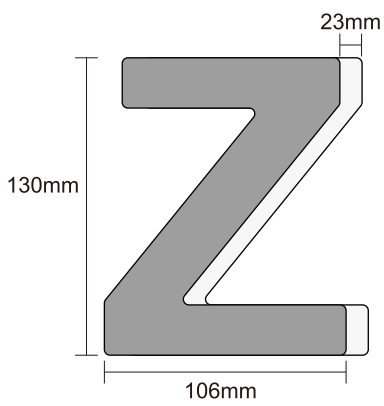
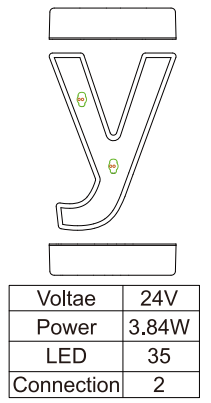
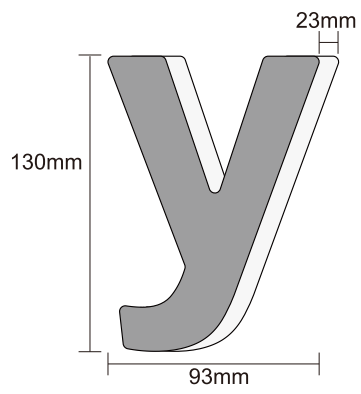
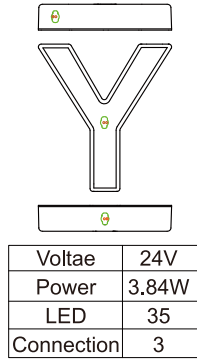
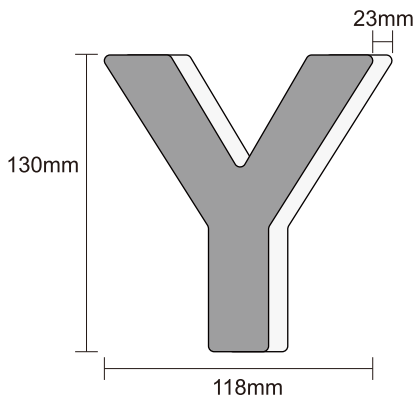
Voltage	24V
Power	5.28W
LED	49
Connection	2

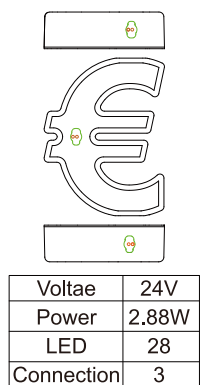
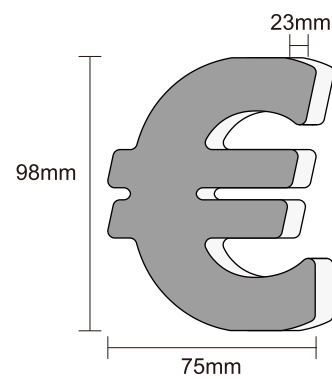
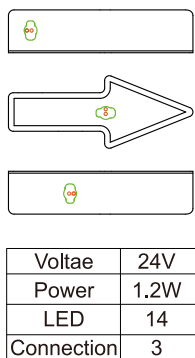
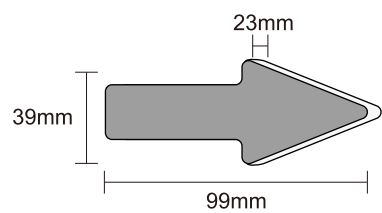
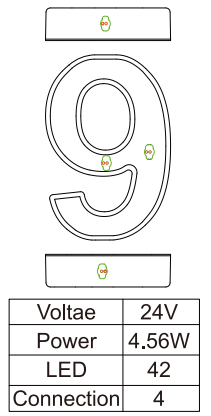
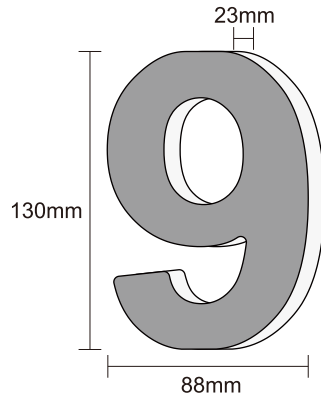
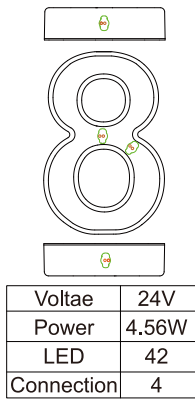
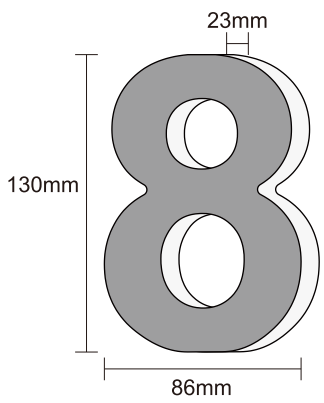
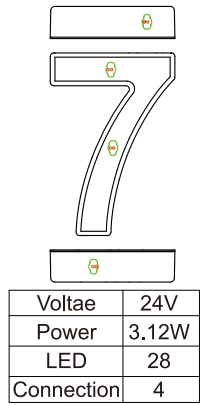
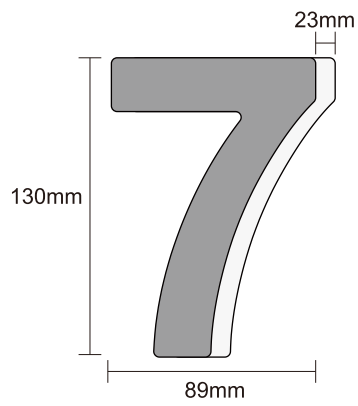
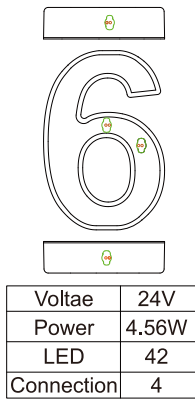
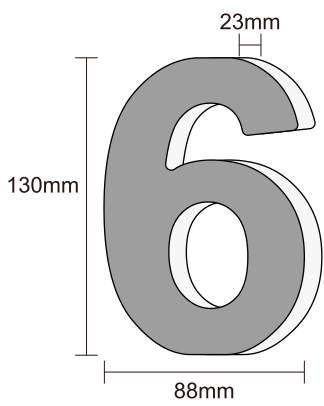
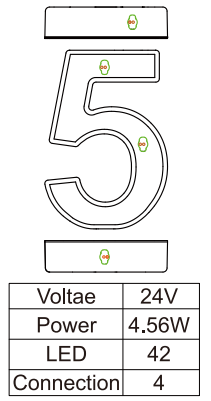
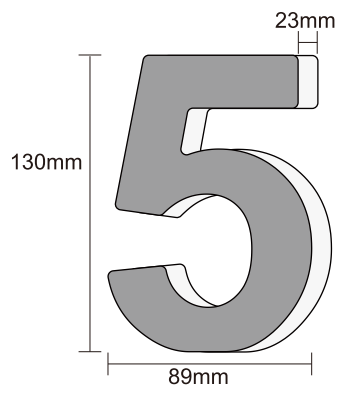
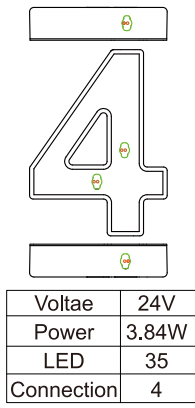
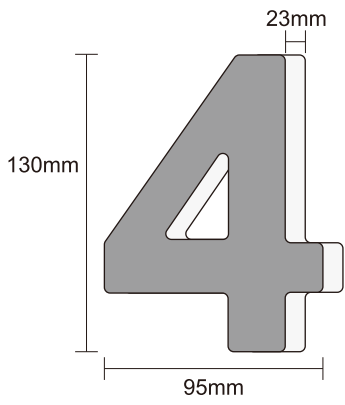


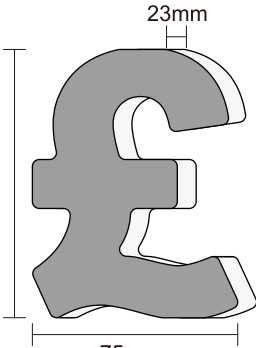
Voltage	24V
Power	5.28W
LED	49
Connection	3




Voltage	24V
Power	3.84W
LED	35
Connection	2



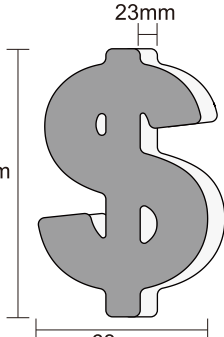





23mm
98mm
75mm



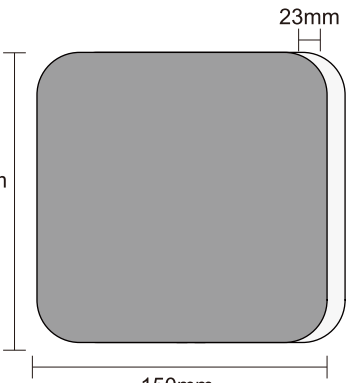
Voltae	24V
Power	2.88W
LED	28
Connection	3



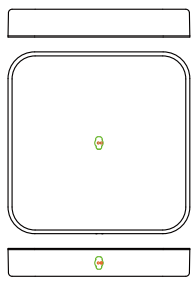
23mm
100mm
63mm



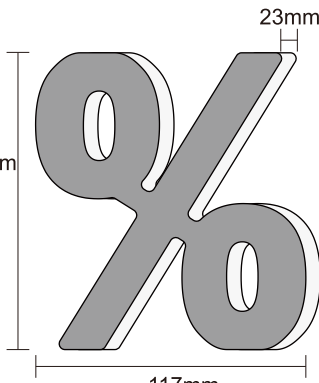
Voltae	24V
Power	28.8W
LED	28
Connection	1



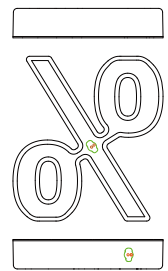
23mm
150mm
150mm



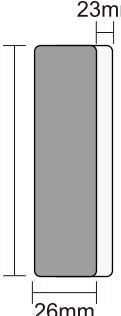
Voltae	24V
Power	12.96W
LED	119
Connection	2



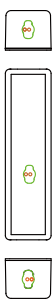
23mm
128mm
117mm



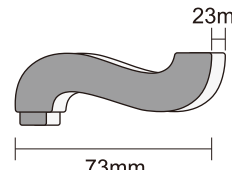
Voltae	24V
Power	4.56W
LED	42
Connection	3



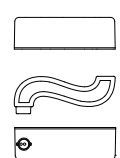
23mm
98mm
26mm



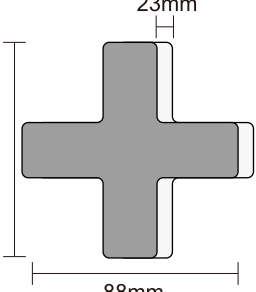
Voltae	24V
Power	2.16W
LED	21
Connection	3



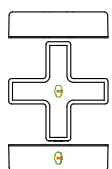
23mm
27mm
73mm



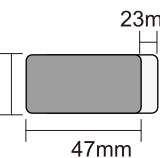
Voltae	24V
Power	0.48W
LED	7
Connection	1



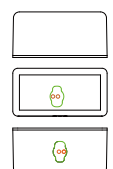
23mm
88mm
88mm




Voltae	24V
Power	2.88W
LED	28
Connection	2




23mm
24mm
47mm



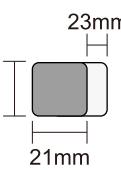
Voltae	24V
Power	0.48W
LED	7
Connection	2




23mm
49mm
24mm



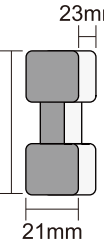
Voltae	24V
Power	2.16W
LED	21
Connection	3




23mm
21mm
21mm



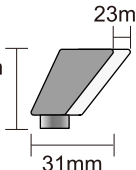
Voltae	24V
Power	0.48W
LED	4
Connection	1



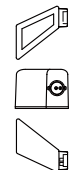
23mm
58mm
21mm



Voltae	24V
Power	0.96W
LED	8
Connection	2



23mm
30mm
31mm



Voltae	24V
Power	0.48W
LED	4
Connection	1

MultisignsBar

Creating a New Experience in Commercial Lighting Advertising

MultisignsBar is a lighting product designed specifically for commercial spaces, with its innovative design and multifunctionality giving it the potential for wide application in various settings. Whether it's in a store, clothing shop, shoe store, stationery store, or fruit shop, MultisignsBar can attract attention with its flexible and versatile lighting and advertising effects.



1

Diversidad y flexibilidad

La filosofía de diseño de MultisignsBar se centra en la diversidad y la flexibilidad. No solo se pueden instalar luces de inundación, focos, letras y números en la parte superior, inferior y lateral de las vías, sino que también se puede cambiar fácilmente el color de estas letras, simplemente reemplazando la carcasa. Además, se pueden combinar las letras y los números de diferentes formas para formar diferentes palabras, e incluso se pueden personalizar patrones según las necesidades de los comerciantes.

Ya sea resaltando las características de los productos o creando una atmósfera única en la tienda, MultisignsBar puede satisfacer sus necesidades.

2

Diversidad en la instalación

La instalación de MultisignsBar es muy versátil. Se puede colgar desde el techo mediante una barra extensible o fijarse a la pared mediante pernos de expansión. Además, esta luz de riel está equipada con varios accesorios de extensión y esquineros, lo que permite encontrar la forma de instalación más adecuada incluso en entornos complicados. Esta flexibilidad de instalación permite que MultisignsBar exhiba su máximo efecto de iluminación en diversos escenarios comerciales.

3

Diseño personalizado profesional

Al elegir MultisignsBar, tendrá la oportunidad de disfrutar de nuestro servicio de diseño personalizado a cargo de nuestro equipo de diseñadores profesionales, quienes se encargarán de crear un diseño adaptado a su espacio según sus condiciones específicas. Independientemente del tamaño, la distribución y las necesidades de iluminación de su espacio, nuestros diseñadores crearán el plan de iluminación más adecuado para usted. Nuestro equipo de diseñadores trabajará de acuerdo a sus necesidades y preferencias para crear efectos de iluminación únicos que mejoren la imagen general de su tienda.

4

Amplias aplicaciones y reconocimiento

MultisignsBar ha solicitado múltiples patentes y ya se está utilizando en numerosos centros comerciales. Esto no solo demuestra su innovación y utilidad, sino también su gran potencial en el mercado. Creemos que las luces de riel MultisignsBar pueden desempeñar un papel aún más importante en su tienda, iluminando su espacio comercial y atrayendo a más clientes.

5

Ahorro de energía y respeto al medio ambiente

Además de las ventajas mencionadas anteriormente, MultisignsBar también es muy eficiente en términos de energía y respetuoso con el medio ambiente. Utiliza la última tecnología de iluminación LED, que no solo ofrece una iluminación de alta calidad, sino que también es más eficiente en términos energéticos en comparación con la iluminación tradicional, lo que reduce el desperdicio de energía. Además, los materiales respetuosos con el medio ambiente cumplen con los requisitos modernos de construcción sostenible, creando así un entorno comercial saludable y ecológico.

En resumen, MultisignsBar ofrece efectos de iluminación y exhibición publicitaria únicos para su espacio, gracias a su diseño innovador y su versatilidad. Ya sea en términos de funcionalidad, facilidad de instalación o efectividad en la publicidad, MultisignsBar es la elección ideal. Elija MultisignsBar y trabajemos juntos para crear un espacio comercial luminoso, estéticamente agradable y lleno de personalidad.

MultisignsBar Factory

Zhongkai str. 289, gaoxinqu, huizhou guangdong China.
Telephone:+86 18650316525

Av. de Córdoba 31 Local 2, 28026, Madrid, Spain.
Telephone : +34 919 350 593 / 614 304 099
Whatsapp : +34 614 304 099

Calle Valdeón 22, 28947, Madrid, Spain.
Telephone : +34 965 500 186 / 688 187 599
Whatsapp : +34 688 187 599

multisignsbar.com info@signsplaza.com